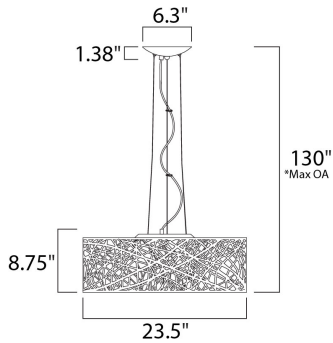




PRODUCT DESCRIPTION

Legendary meets contemporary with the Inca Collection. Reminiscent of the mythical tales of Incan treasures, the fixtures offer brilliantly shining crystal enclosed within a precision laser-cut sheath that cannot be duplicated. The glow of the light from within casts a beautifully radiant shine that adorns the outer permeable layer.



*max overall height



MEASUREMENTS

- DIMENSION : 23.5" L x 23.5" W x 10" H
- MAX OAH : 125" OAH
- CANOPY : 6.3" W x 1.25" H x 6.3" L
- HANGING WEIGHT : 13.64 lb

LAMPING

- INPUT VOLTAGE : 120V
- LUMENS : 4,500 Rated (4,000 Del.)
- BULB : 9 x 40W Xenon G9 , 360W Total
- BULB INCLUDED : (Included)
- DIMMABLE : Yes
- COLOR_TEMP : 2900K

FINISHES OPTION

-  Bronze (BZ)
-  Polished Chrome (PC)

GLASS

Clear and White 10

MATERIAL

Stainless Steel, Steel

RATINGS

cETLus
Dry Location



ADDITIONAL

RATED LIFE 2000 Hours
OPERATING TEMPERATURE:
-20°C (-4°F), 40°C (104°F)

Always consult a qualified electrician before installing any lighting product.



WESTERN DISTRIBUTION CENTER (HEADQUARTER)
253 NORTH VINELAND AVE | CITY OF INDUSTRY, CA 91746
EASTERN DISTRIBUTION CENTER
101 GARDNER PARK | PEACHTREE CITY, GA 30269
P. 626.956.4200 | F. 626.956.4225 | maximlighting.com